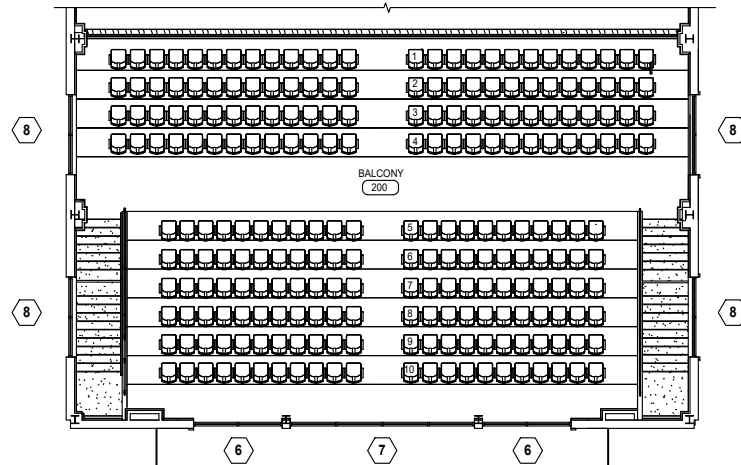


**KEY PLAN**



**QUANTITIES:**

- TYPE 1 - 01 DOOR 100A - 01
- TYPE 2 - 01 DOOR 100B - 01
- TYPE 3 - 01 DOOR 101A - 01
- TYPE 4 - 06 DOOR 101B - 01
- TYPE 5 - 04
- TYPE 6 - 02
- TYPE 7 - 01
- TYPE 8 - 04



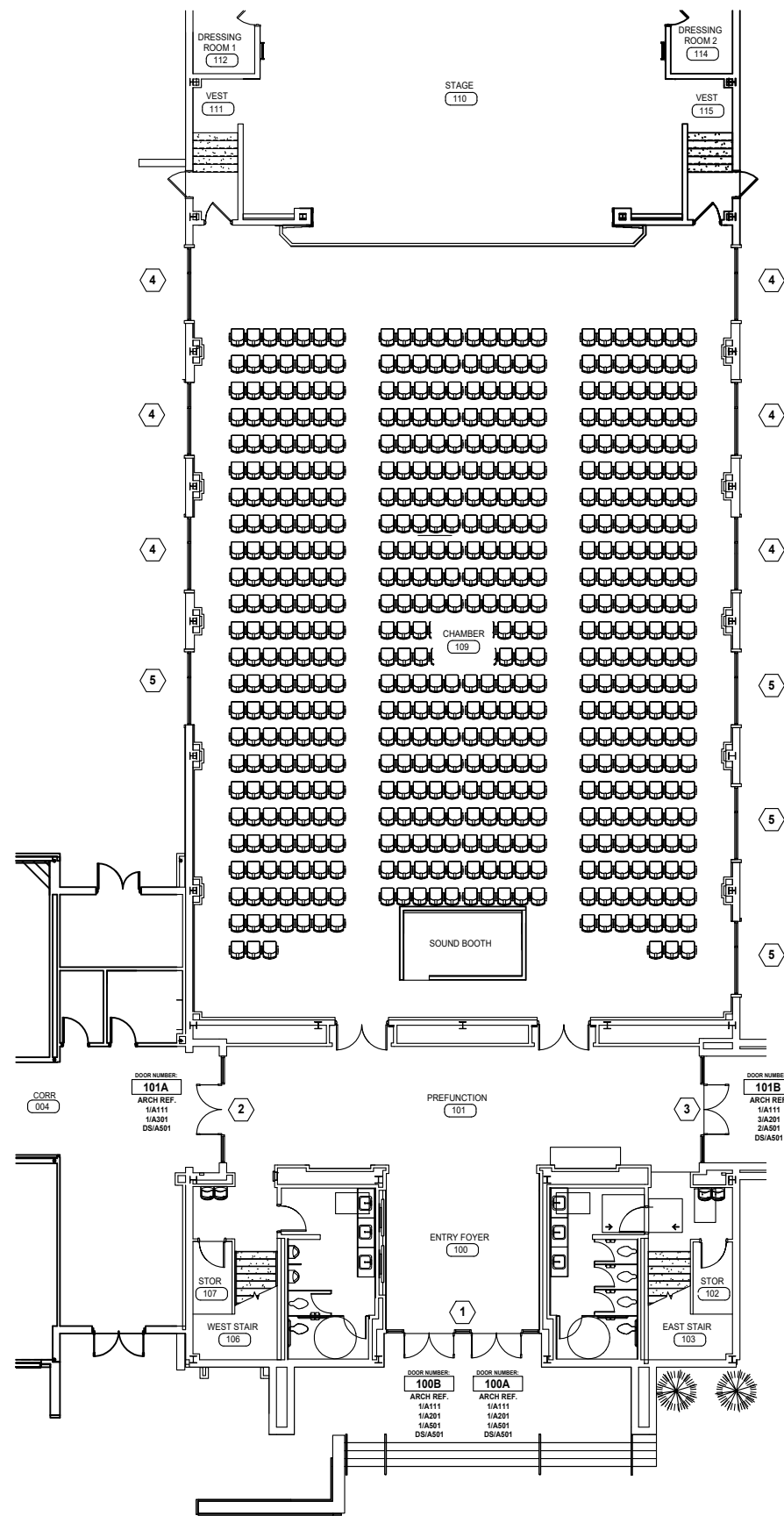
**PLAN VIEW**

SCALE: 1" = 20'-0"  
 ARCH: A/A111

**01**

**BALCONY**

OLDCASTLE FG-5100T STORMMAX ALUMINUM STOREFRONT



**PLAN VIEW**

SCALE: 1" = 20'-0"  
 ARCH: A/A111

**01**

**GROUND FLOOR**

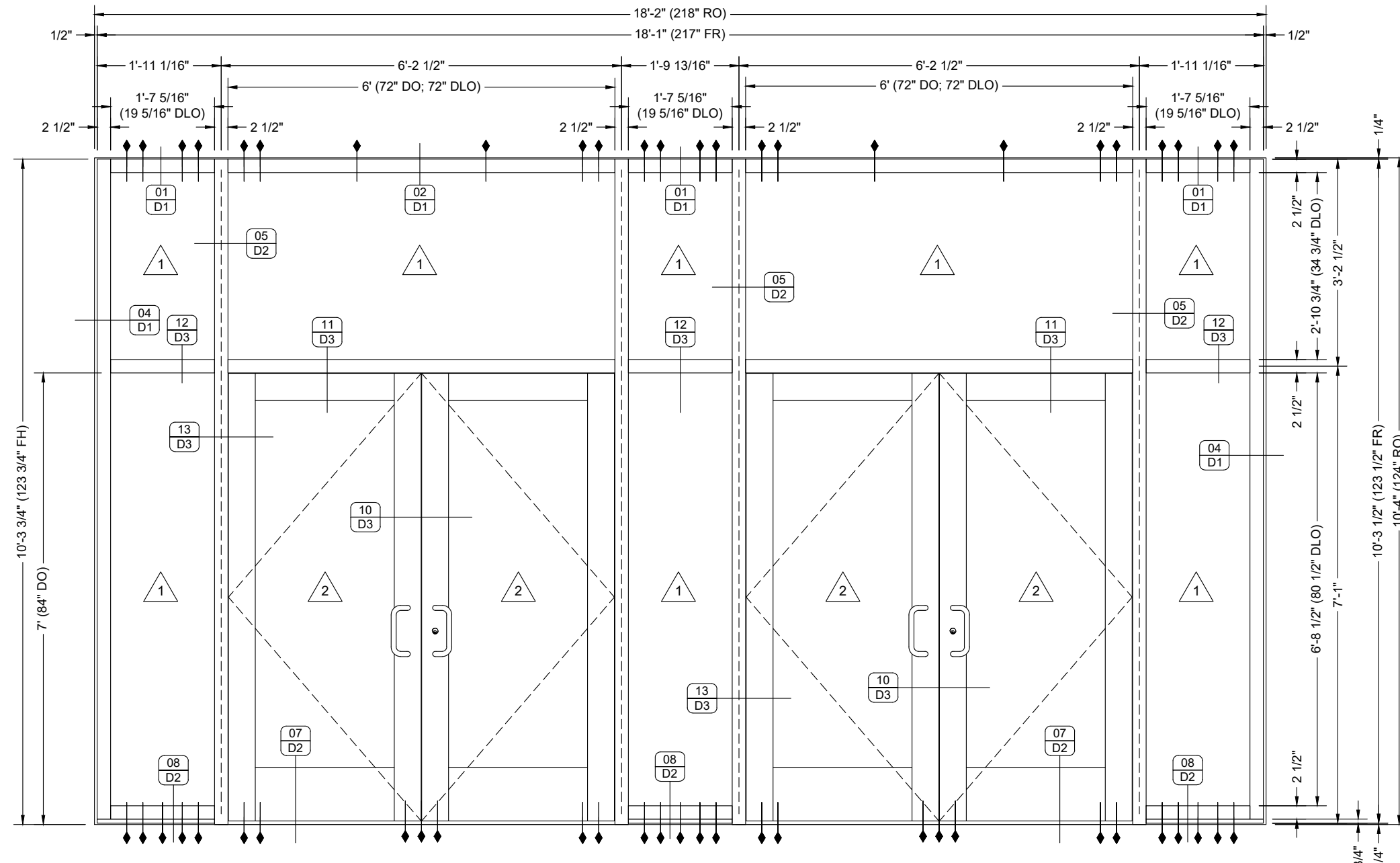
OLDCASTLE FG-5100T STORMMAX ALUMINUM STOREFRONT  
 OLDCASTLE RELIANCE STORMMAX HIGH PERFORMANCE CURTAIN WALL  
 OLDCASTLE WSD 500 ENTRANCE DOORS ON FG-5100 ALUM FRAMING  
 OLDCASTLE FG-2000 ALUMINUM STOREFRONT  
 OLDCASTLE RUGGED DOOR ENTRANCE SYSTEM

NO.	DATE	BY	DESCRIPTION
1	09/23/21	fp	First Submittal

**SIX FLAGS GLASS**  
 108 E AIRLINE RD VICTORIA, TX 77901  
 (W) 361-573-9612 (F) 361-573-2334

PROJECT: REFUGIO ISD AUDITORIUM BUILDING  
**RENOVATION TO EXISTING BUILDING**  
 ARCHITECT: BWA ARCHITECTS  
 972-861-5461  
 PROJECT: WEAVER & JACOBS CONSTRUCTORS, INC.  
 361-896-5007

PROJECT NO.	SFG-2104-02
DRAWN BY	fp
DATE	09/23/21
SCALE	NTS
DRAWING	FLOOR PLANS
SHEET	P1



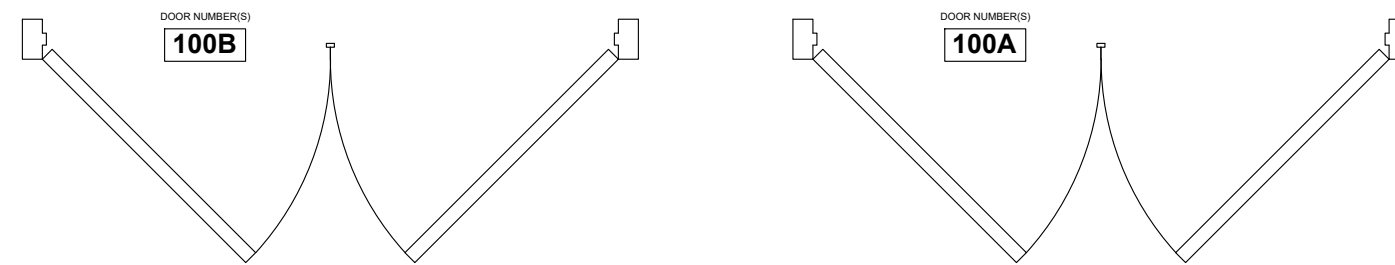
**ELEVATION**

QUANTITY: 01  
 SCALE: 1/2" = 1'-0"  
 ARCH REF: 1/A111  
 1/A201  
 1/A501 DS/A501



**EXTERIOR STOREFRONT**

OLDCASTLE FG-5100T STORMMAX ALUMINUM STOREFRONT  
 OLDCASTLE WSD-500 ENTRANCE DOORS ON FG-5100 FRAMING



**HARDWARE - DOOR 100B**

- 2-PANIC DEVICES, Sargent Rim Exit Device, Exit Only, 1 per Inactive Door Leaf, Satin Stainless Steel (US32D), AD8510
- 1-REMOVABLE MULLION, Sargent Lockable Removable Mullion, 1 per Pair of Doors Aluminum Prime Coat, L980
- 2-DOOR PULLS, Ives 90Deg Offset Pull Handle, 1 per Door Leaf, Satin Stainless Steel (US32D), 8190HD-010"
- 2-GEAR INSET HINGE PART, Roton Heavy Duty Concealed Leaf Hinge, 1 per Door Leaf, Clear, 780-224HDx83"
- 2-CLOSER, LCN 4040XP SCUSH, 1 per Door Leaf, Aluminum (689), 4040XP
- 2-DROP PLATE, LCN 4040XP-18PA, 1 per Door Leaf, Aluminum (689), 4040XP-18PA
- 2-SWEEP, D-118 / D-120 Weatherstrip, 42", 1 per Door Leaf, Clear, 3345
- 1-THRESHOLD, TH-57 Threshold with Splines, 1 per Pair of Doors, Mill, TH57M

**HARDWARE - DOOR 100A**

- 2-ACTIVE PANIC DEVICE, Sargent Rim Exit Device, Key Retracts Latchbolt, 1 per Active Door Leaf, Satin Stainless Steel (US32D), AD8504
- 2-INACTIVE PANIC DEVICE, Sargent Rim Exit Device, Exit Only, 1 per Inactive Door Leaf, Satin Stainless Steel (US32D), AD8510
- 2-ACTIVE PANIC EXTERIOR TRIM, Sargent Rim Cylinder, 1 per Active Door Leaf, Satin Chrome (US26D) #34
- 2-REMOVABLE MULLION, Sargent Lockable Removable Mullion, 1 per Pair of Doors, Aluminum Prime Coat, L980
- 4-DOOR PULLS, Ives 90Deg Offset Pull Handle, 1 per Door Leaf, Satin Stainless Steel (US32D), 8190HD-010"
- 4-GEAR INSET HINGE PART, Roton Heavy Duty Concealed Leaf Hinge, 1 per Door Leaf, Clear, 780-224HDx83"
- 4-CLOSER, LCN 4040XP SCUSH, 1 per Door Leaf, Aluminum (689), 4040XP
- 4-DROP PLATE, LCN 4040XP-18PA, 1 per Door Leaf, Aluminum (689), 4040XP-18PA
- 4-SWEEP, D-118 / D-120 Weatherstrip, 42", 1 per Door Leaf, Clear, 3345
- 2-THRESHOLD, TH-57 Threshold with Splines, 1 per Pair of Doors, Mill, TH57M

NO.	SUB	BY	DATE	DESCRIPTION
1		fp	09/23/21	First Submittal

**SIX FLAGS GLASS**

108 E AIRLINE RD VICTORIA, TX 77901  
 (W) 361-573-9612 (F) 361-573-2334

**PROJECT REFUGIO ISD AUDITORIUM BUILDING RENOVATION TO EXISTING BUILDING**

ARCHITECT BWA ARCHITECTS  
 PROJECT MANAGER WEAVER & JACOBS CONSTRUCTORS, INC.

PROJECT NO. SFG-2104-02

DRAWN BY DATE  
 fp 09/23/21

SCALE 1/2" = 1'-0"

DRAWING ELEVATIONS

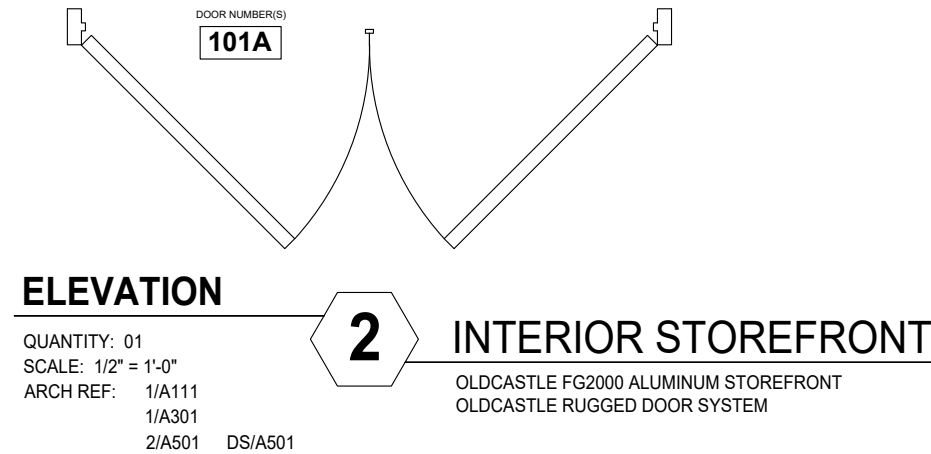
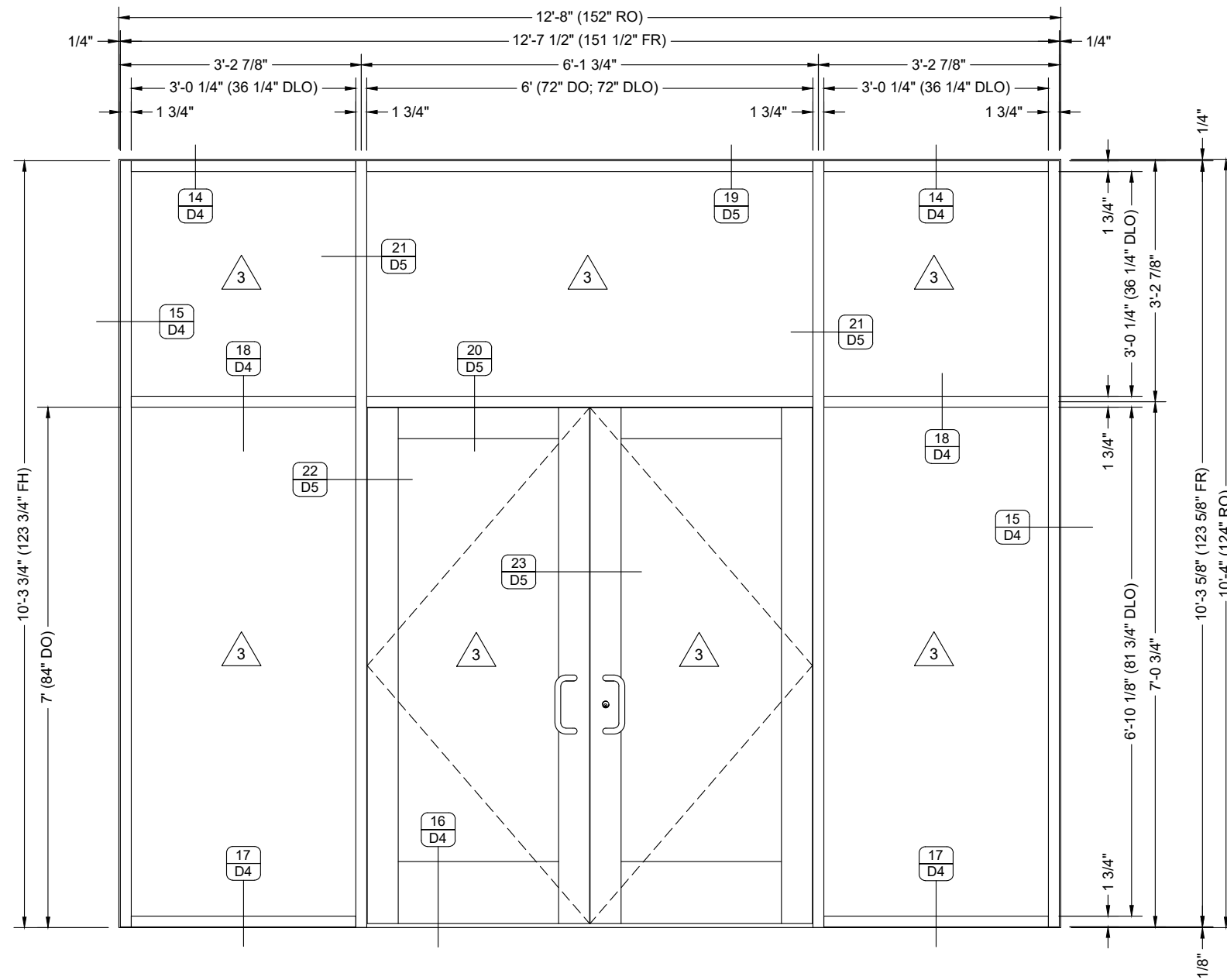
SHEET E1

NO.	DATE	DESCRIPTION
1	09/23/21	First Submittal

**SIX FLAGS GLASS**  
 108 E AIRLINE RD VICTORIA, TX 77901  
 (W) 361-573-9612 (F) 361-573-2334

PROJECT: REFUGIO ISD AUDITORIUM BUILDING  
 RENOVATION TO EXISTING BUILDING  
 ARCHITECT: BWA ARCHITECTS  
 PROJECT: WEAVER & JACOBS CONSTRUCTORS, INC.

PROJECT NO.	SFG-2104-02
DRAWN BY	fp
DATE	09/23/21
SCALE	1/2" = 1'-0"
DRAWING	ELEVATIONS
SHEET	E2

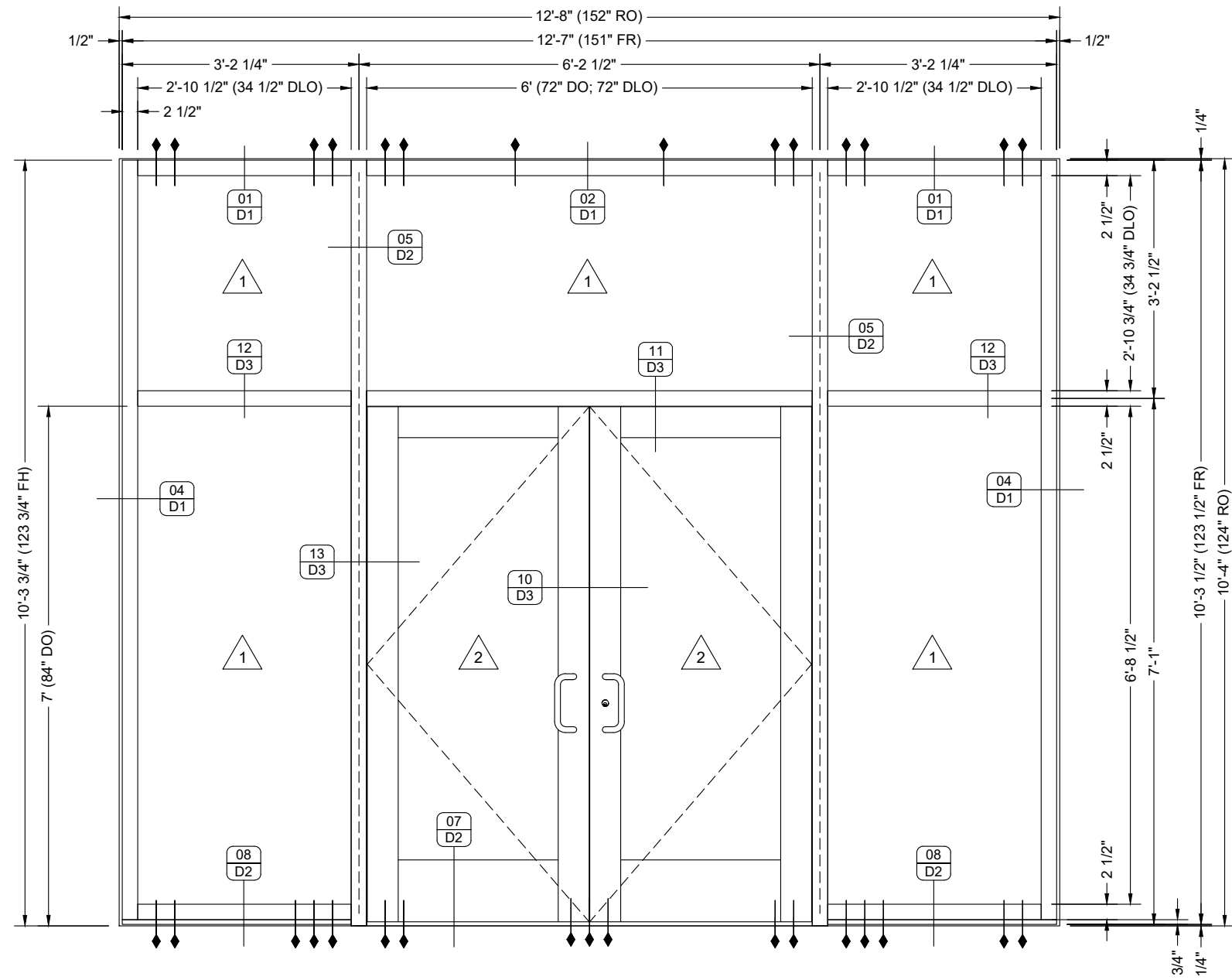


**ELEVATION**  
 QUANTITY: 01  
 SCALE: 1/2" = 1'-0"  
 ARCH REF: 1/A111  
 1/A301  
 2/A501 DS/A501

**2 INTERIOR STOREFRONT**  
 OLDCASTLE FG2000 ALUMINUM STOREFRONT  
 OLDCASTLE RUGGED DOOR SYSTEM

**HARDWARE - DOOR 101A**

- 1-ACTIVE PANIC DEVICE, Sargent Rim Exit Device, Key Retracts Latchbolt, 1 per Active Door Leaf, Satin Stainless Steel (US32D), AD8504
- 1-INACTIVE PANIC DEVICE, Sargent Rim Exit Device, Exit Only, 1 per Inactive Door Leaf, Satin Stainless Steel (US32D), AD8510
- 1-ACTIVE PANIC EXTERIOR TRIM, Sargent Rim Cylinder, 1 per Active Door Leaf, Satin Chrome (US26D), #34
- 1-REMOVABLE MULLION, Sargent Lockable Removable Mullion, 1 per Pair of Doors, Aluminum Prime Coat, L980
- 2-DOOR PULLS, Ives 90Deg Offset Pull Handle, 1 per Door Leaf, Satin Stainless Steel (US32D), 8190HD-0 10"
- 2-GEAR INSET HINGE PART, Ives Continuous Geared Inset Hinge, 1 per Door Leaf, Satin Stainless Steel (US32D), 700
- 2-CLOSER, LCN 4040XP SCUSH, 1 per Door Leaf, Aluminum (689), 4040XP
- 2-DROP PLATE, LCN 4040XP-18PA, 1 per Door Leaf, Aluminum (689), 4040XP-18PA
- 1-THRESHOLD THRESHOLD, Allowance for 11/16" threshold height, 1 per Pair of Doors, Aluminum Mill Finish, 65A-223



**ELEVATION**

QUANTITY: 01  
 SCALE: 1/2" = 1'-0"  
 ARCH REF: 1/A111  
 3/A201  
 3/A501 DS/A501



**EXTERIOR STOREFRONT**

OLDCASTLE FG-5100T STORMMAX ALUMINUM STOREFRONT  
 OLDCASTLE WSD-500 ENTRANCE DOORS ON FG-5100 FRAMING

**HARDWARE - DOOR 101B**

- 2-ACTIVE PANIC DEVICE, Sargent Rim Exit Device, Key Retracts Latchbolt, 1 per Active Door Leaf, Satin Stainless Steel (US32D), AD8504
- 2-INACTIVE PANIC DEVICE, Sargent Rim Exit Device, Exit Only, 1 per Inactive Door Leaf, Satin Stainless Steel (US32D), AD8510
- 2-ACTIVE PANIC EXTERIOR TRIM, Sargent Rim Cylinder, 1 per Active Door Leaf, Satin Chrome (US26D) #34
- 2-REMOVABLE MULLION, Sargent Lockable Removable Mullion, 1 per Pair of Doors, Aluminum Prime Coat, L980
- 4-DOOR PULLS, Ives 90Deg Offset Pull Handle, 1 per Door Leaf, Satin Stainless Steel (US32D), 8190HD-0 10"
- 4-GEAR INSET HINGE PART, Roton Heavy Duty Concealed Leaf Hinge, 1 per Door Leaf, Clear, 780-224HDx83"
- 4-CLOSER, LCN 4040XP SCUSH, 1 per Door Leaf, Aluminum (689), 4040XP
- 4-DROP PLATE, LCN 4040XP-18PA, 1 per Door Leaf, Aluminum (689), 4040XP-18PA
- 4-SWEEP, D-118 / D-120 Weatherstrip, 42", 1 per Door Leaf, Clear, 3345
- 2-THRESHOLD, TH-57 Threshold with Splines, 1 per Pair of Doors, Mill, TH57M

DATE	DESCRIPTION
09/23/21	First Submittal
fp	BY
1	SUB

**SIX FLAGS GLASS**  
 108 E AIRLINE RD VICTORIA, TX 77901  
 (W) 361-573-9612 (F) 361-573-2334

PROJECT: REFUGIO ISD AUDITORIUM BUILDING  
 RENOVATION TO EXISTING BUILDING  
 ARCHITECT: BWA ARCHITECTS  
 PROJECT: WEATHER & JACOBS CONSTRUCTORS, INC.  
 972-861-5461 361-896-5007

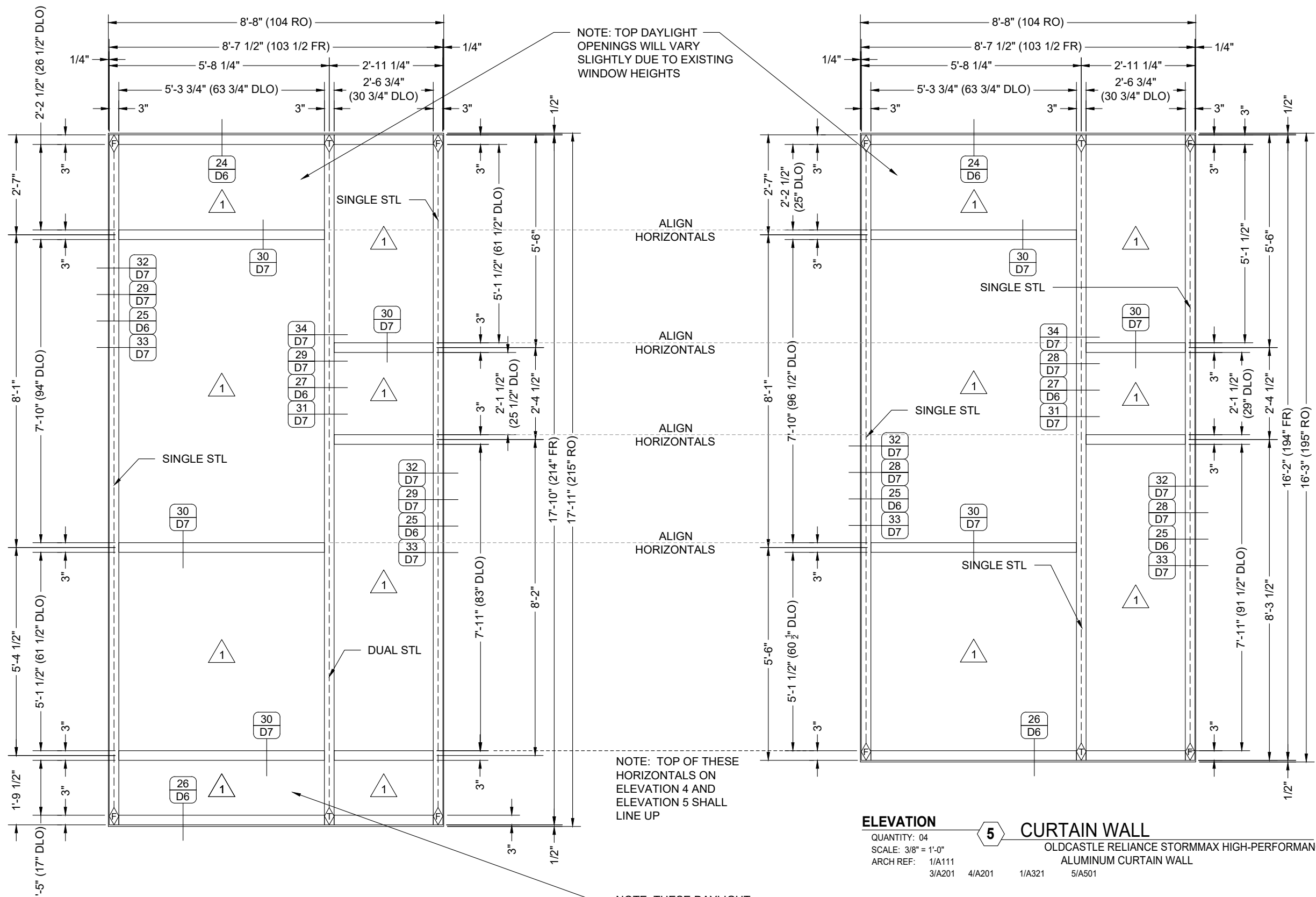
PROJECT NO. SFG-2104-02

DRAWN BY: fp DATE: 09/23/21

SCALE: 1/2" = 1'-0"

DRAWING: ELEVATIONS

SHEET: E3



**ELEVATION 4 CURTAIN WALL**  
 QUANTITY: 06  
 SCALE: 3/8" = 1'-0"  
 ARCH REF: 1/A111 3/A201 4/A201 1/A321 4/A501  
 OLDCASTLE RELIANCE STORMMAX HIGH-PERFORMANCE ALUMINUM CURTAIN WALL

**ELEVATION 5 CURTAIN WALL**  
 QUANTITY: 04  
 SCALE: 3/8" = 1'-0"  
 ARCH REF: 1/A111 3/A201 4/A201 1/A321 5/A501  
 OLDCASTLE RELIANCE STORMMAX HIGH-PERFORMANCE ALUMINUM CURTAIN WALL

NOTE: TOP DAYLIGHT OPENINGS WILL VARY SLIGHTLY DUE TO EXISTING WINDOW HEIGHTS

NOTE: TOP OF THESE HORIZONTALS ON ELEVATION 4 AND ELEVATION 5 SHALL LINE UP

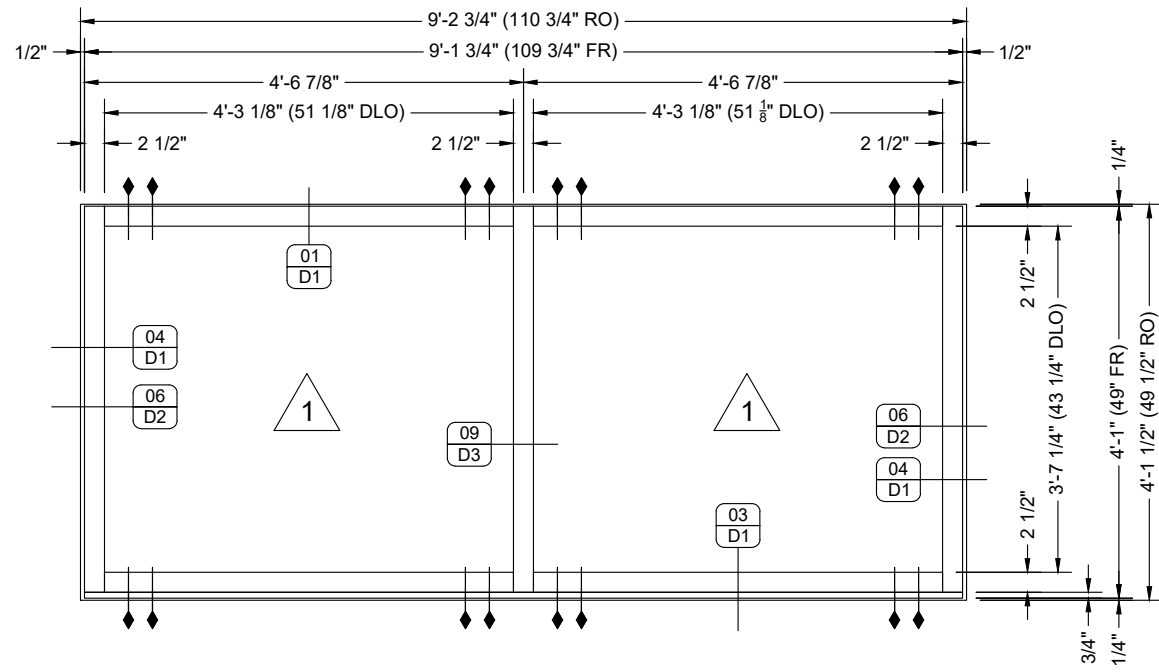
NOTE: THESE DAYLIGHT OPENINGS WILL VARY SLIGHTLY DUE TO THE RELATIVE HEIGHT OF THE SILLS

NO.	DATE	BY	DESCRIPTION
1	09/23/21	fp	First Submittal

**SIX FLAGS GLASS**  
 108 E AIRLINE RD VICTORIA, TX 77901  
 (W) 361-573-9612 (F) 361-573-2334

PROJECT: REFUGIO ISD AUDITORIUM BUILDING  
**RENOVATION TO EXISTING BUILDING**  
 ARCHITECT: BWA ARCHITECTS  
 PROJECT: WEAVER & JACOBS CONSTRUCTORS, INC.

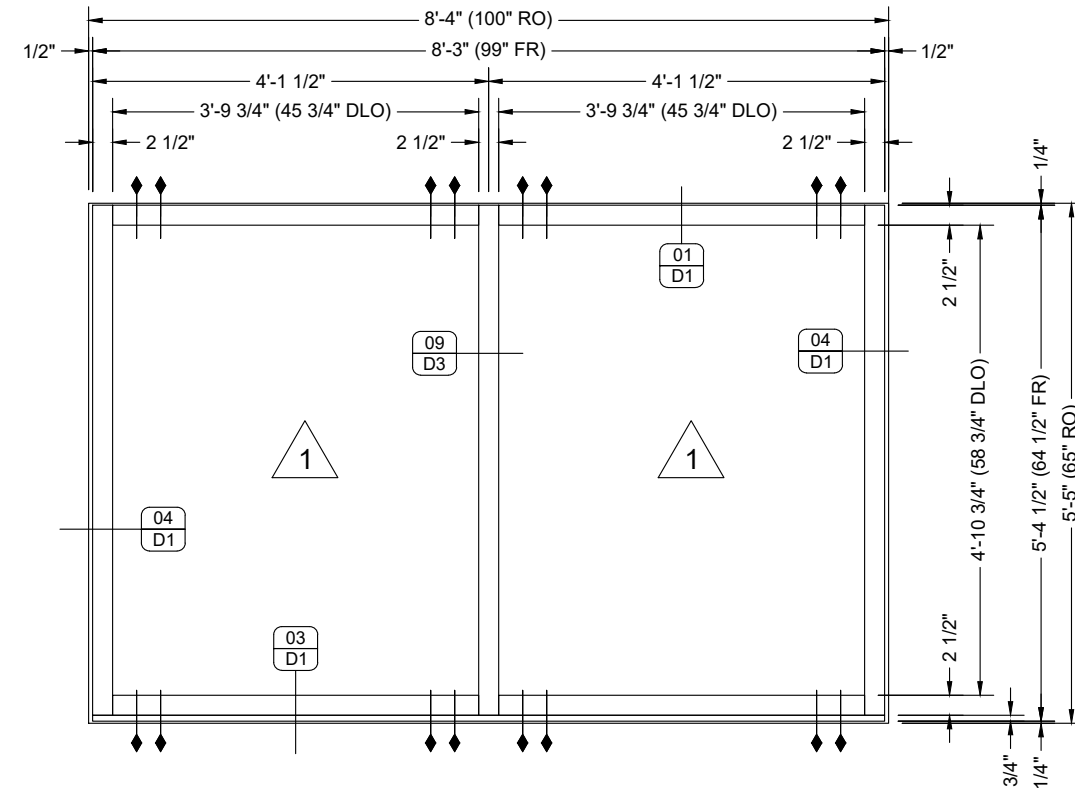
PROJECT NO.	SFG-2104-02
DRAWN BY	fp
DATE	09/23/21
SCALE	1/2" = 1'-0"
DRAWING	ELEVATIONS
SHEET	E4



**ELEVATION**

QUANTITY: 02  
 SCALE: 1/2" = 1'-0"  
 ARCH REF: 2/A111  
 1/A201  
 6/A501

**6** EXTERIOR STOREFRONT  
 OLDCASTLE FG-5100T STORMMAX ALUMINUM STOREFRONT



**ELEVATION**

QUANTITY: 04  
 SCALE: 1/2" = 1'-0"  
 ARCH REF: 2/A111  
 3/A201 4/A201 8/A501

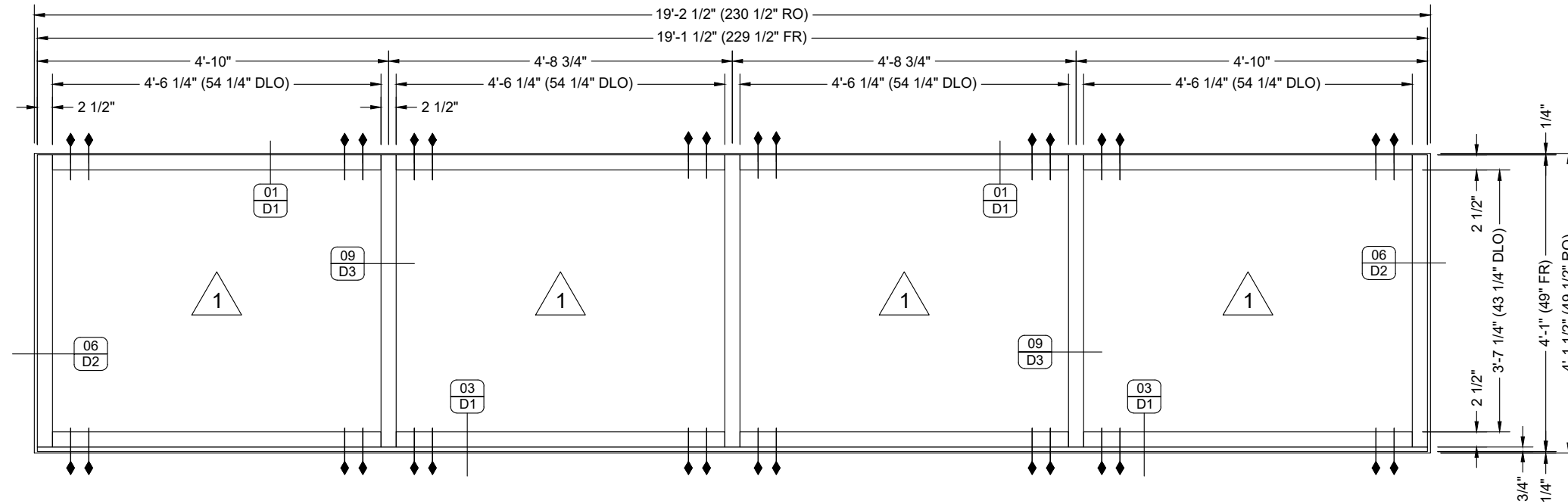
**8** EXTERIOR STOREFRONT  
 OLDCASTLE FG-5100T STORMMAX ALUMINUM STOREFRONT

NO.	DATE	DESCRIPTION
1	09/23/21	First Submittal

**SIX FLAGS GLASS**  
 108 E AIRLINE RD VICTORIA, TX 77901  
 (W) 361-573-9612 (F) 361-573-2334

PROJECT: REFUGIO ISD AUDITORIUM BUILDING  
**RENOVATION TO EXISTING BUILDING**  
 ARCHITECT: BWA ARCHITECTS  
 972-861-5461  
 PROJECT: WEAVER & JACOBS CONSTRUCTORS, INC.  
 361-895-5007

PROJECT NO. SFG-2104-02	
DRAWN BY fp	DATE 09/23/21
SCALE 1/2" = 1'-0"	
DRAWING ELEVATIONS	
SHEET E5	



**ELEVATION**

QUANTITY: 01  
 SCALE: 1/2" = 1'-0"  
 ARCH REF: 2/A111  
 1/A201  
 7/A501



**7 EXTERIOR STOREFRONT**

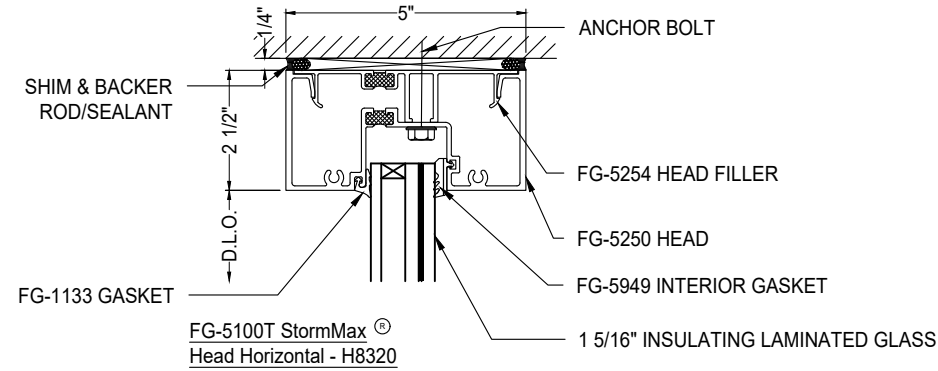
OLDCASTLE FG-5100T STORMMAX ALUMINUM STOREFRONT

DATE	BY	DESCRIPTION
09/23/21	fp	First Submittal
	1	
	SUB	

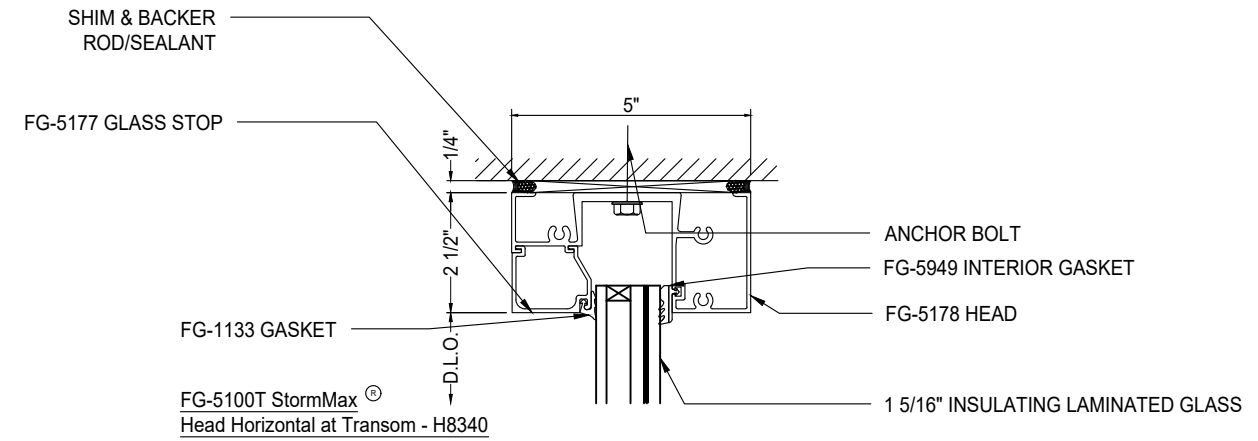
**SIX FLAGS GLASS**  
 108 E AIRLINE RD VICTORIA, TX 77901  
 (W) 361-573-9612 (F) 361-573-2334

PROJECT: REFUGIO ISD AUDITORIUM BUILDING  
**RENOVATION TO EXISTING BUILDING**  
 ARCHITECT: BWA ARCHITECTS  
 972-861-5461  
 PROJECT: WEAVER & JACOBS CONSTRUCTORS, INC  
 361-896-6007

PROJECT NO. SFG-2104-02	
DRAWN BY fp	DATE 09/23/21
SCALE 1/2" = 1'-0"	
DRAWING ELEVATIONS	
SHEET E6	

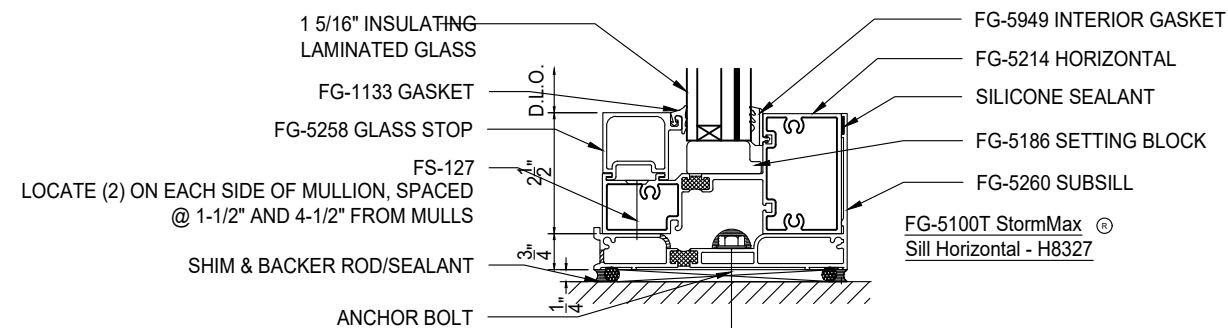


**DETAIL 01 STD HEAD**  
 SCALE: 3" = 1'-0"  
 ARCH REF: 24/A502  
 OLDCASTLE FG5100T ALUM STOREFRONT

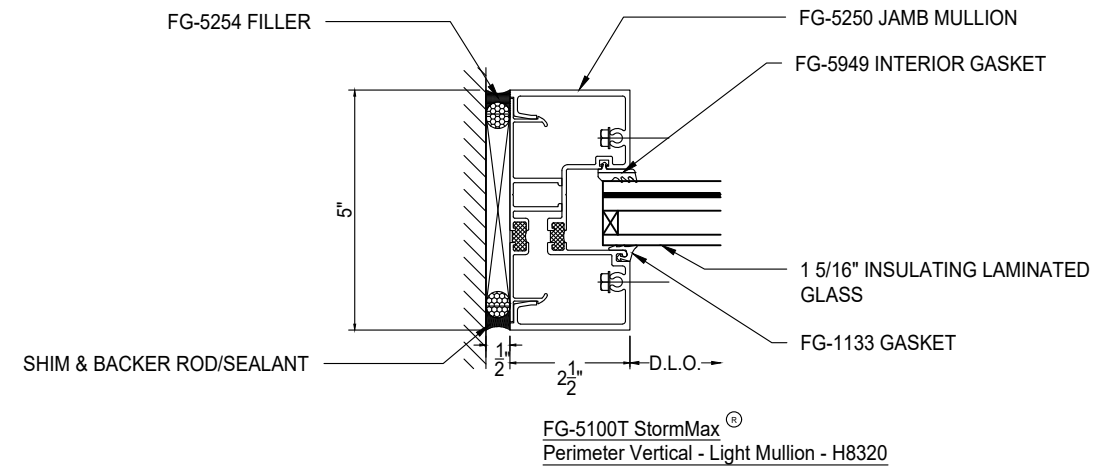


**DETAIL 02 TRANSOM HEAD**  
 SCALE: 3" = 1'-0"  
 ARCH REF: 24/A502  
 OLDCASTLE FG5100T ALUM STOREFRONT

NOTE: EXTERIOR STOREFRONT SYSTEM SHALL BE MOUNTED ON APPROVED SUBSTRATE MATERIAL THAT CONFORMS TO THE TDI PED REQUIREMENTS (SEE ANCHORING DRAWINGS A1 & A2 FOR MORE INFORMATION)



**DETAIL 03 SILL**  
 SCALE: 3" = 1'-0"  
 ARCH REF: 21/A502  
 OLDCASTLE FG5100T ALUM STOREFRONT



**DETAIL 04 JAMB**  
 SCALE: 3" = 1'-0"  
 ARCH REF: 22/A502  
 OLDCASTLE FG5100T ALUM STOREFRONT

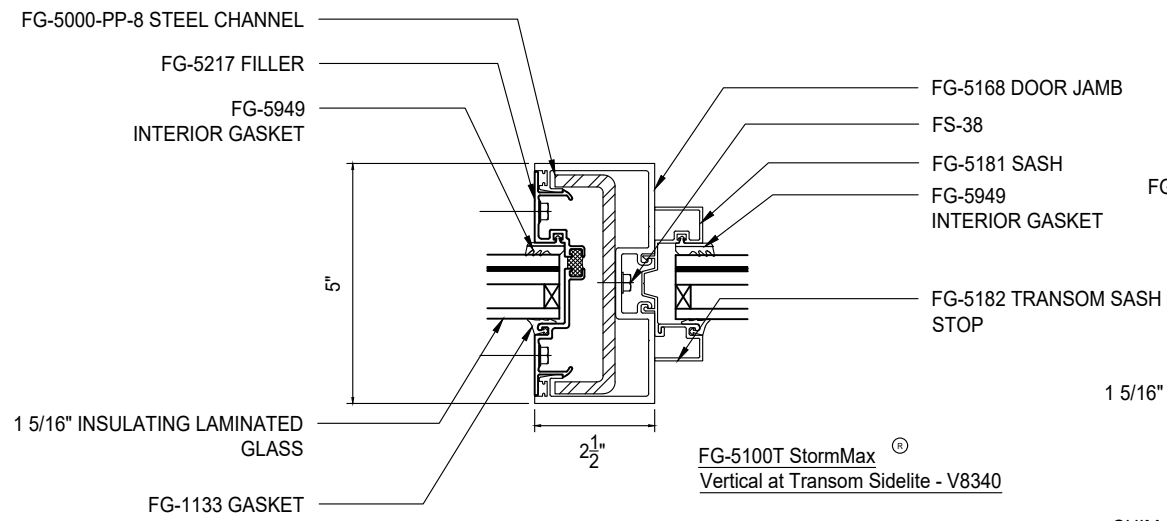
**SIX FLAGS GLASS**  
 108 E AIRLINE RD VICTORIA, TX 77901  
 (W) 361-573-9612 (F) 361-573-2334

PROJECT: REFUGIO ISD AUDITORIUM BUILDING  
**RENOVATION TO EXISTING BUILDING**  
 ARCHITECT: BWA ARCHITECTS  
 PROJECT: WEAVER & JACOBS CONSTRUCTORS, INC.

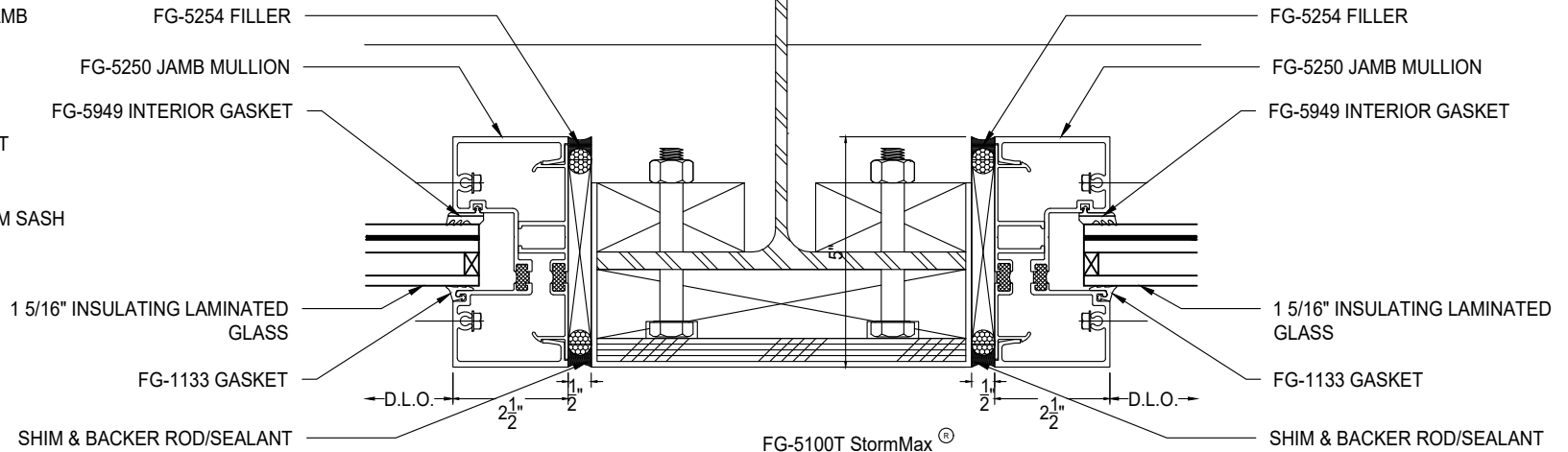
PROJECT NO.	SFG-2104-02
DRAWN BY	fp
DATE	09/23/21
SCALE	3" = 1'-0"
DRAWING	DETAILS
SHEET	D1

DATE	DESCRIPTION
09/23/21	First Submittal
1	fp
1	BY
	SUB





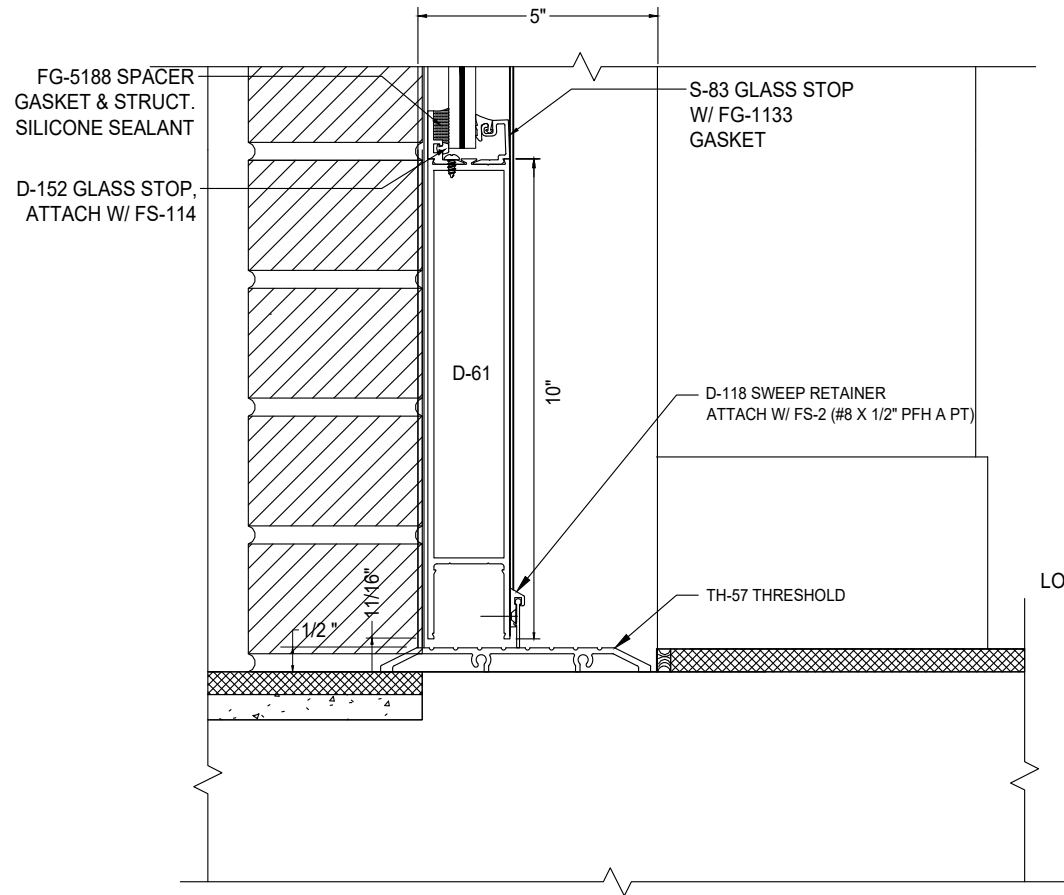
FG-5100T StormMax<sup>®</sup>  
 Vertical at Transom Sidelite - V8340



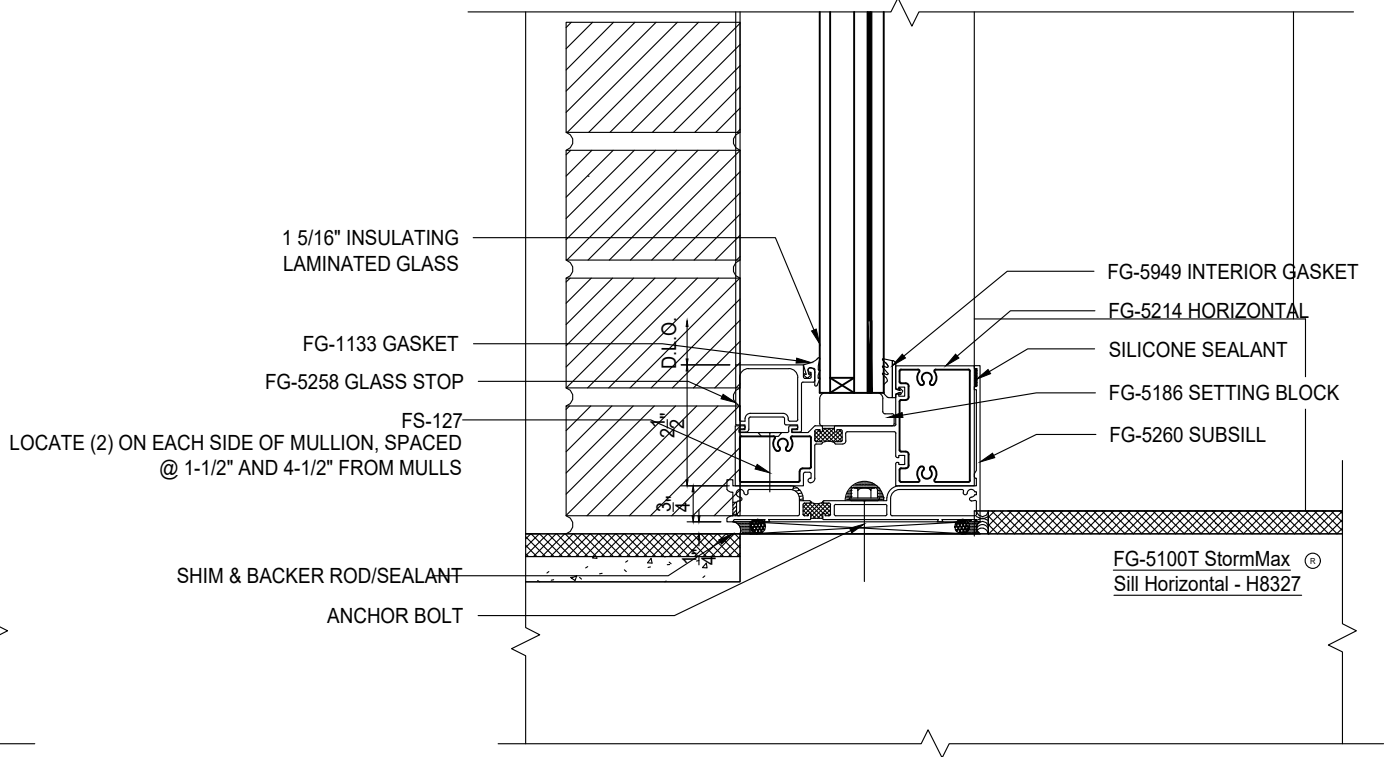
FG-5100T StormMax<sup>®</sup>  
 Perimeter Vertical - Light Mullion - H8320

**DETAIL 05 TRANSOM JAMB**  
 SCALE: 3" = 1'-0"  
 ARCH REF: 8/A502  
 OLDCASTLE FG5100T ALUM STOREFRONT

**DETAIL 06 JAMB CONFIGURATION**  
 SCALE: 3" = 1'-0"  
 ARCH REF: 23/A502  
 OLDCASTLE FG5100T ALUM STOREFRONT



**DETAIL 07 BOTTOM RAIL**  
 SCALE: 3" = 1'-0"  
 ARCH REF: 6/A502  
 OLDCASTLE WSD-500 ENTRANCE DOOR



**DETAIL 08 SILL**  
 SCALE: 3" = 1'-0"  
 ARCH REF: 1/A502  
 OLDCASTLE FG5100T ALUM STOREFRONT

NO.	DATE	BY	DESCRIPTION
1	09/23/21	fp	First Submittal

**SIX FLAGS GLASS**  
 108 E AIRLINE RD VICTORIA, TX 77901  
 (W) 361-573-9612 (F) 361-573-2334

PROJECT: REFUGIO ISD AUDITORIUM BUILDING  
**RENOVATION TO EXISTING BUILDING**  
 ARCHITECT: BWA ARCHITECTS  
 972-861-5461  
 PROJECT: WEAVER & JACOBS CONSTRUCTORS, INC.  
 361-896-5007

PROJECT NO.	SFG-2104-02
DRAWN BY	fp
DATE	09/23/21
SCALE	3" = 1'-0"
DRAWING	DETAILS
SHEET	D2